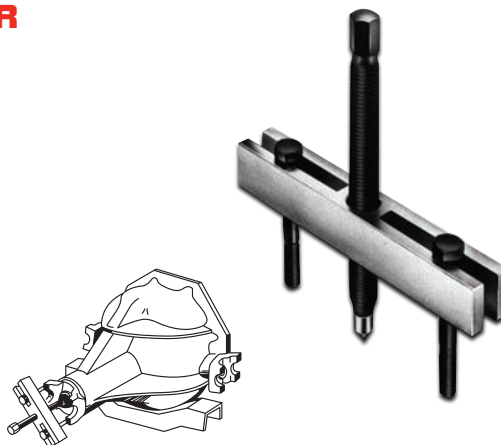




6 TON 2-WAY THREADED PART PULLER

Product #: J4214

- › Slotted crossarm puller used to remove a universal joint flange.
- › Span 1-1/4" to 6-1/4" — Bolt Size: 3/8"-16 UNC x 3".



Contents	Description	Qty.
J4022TS	Small Detachable Tip	1
J4022T	Standard Detachable Tip	1
J4205S	Forcing Screw	1
J4206SC	Slotted Crossarm 2-Way	1
J4028	Cap Screw, 3/8"-16 UNC x 3"	2

Weight (lbs): 1.93



11 PIECE STEP PLATE ADAPTER SET

Product #: J4040

- › Includes Nos. J4040-1 thru J4040-11.
- › Overall diameter 1" to 2-7/8".
- › For bore diameter 3/4" to 2".
- › Lower Step 3/4" to 2-3/8".
- › Weight (lbs): 3.00



PULLER STEP PLATE ADAPTERS

- › Provides forcing screw base for hollow shaft applications 3/4" to 2-3/8" bore.
- › Protects bearings that are being pressed in shafts that are not center drilled.

Product #	Small Diameter (in)	Large Diameter (in)
J4040-1	3/4	1
J4040-2	7/8	1-1/8
J4040-3	1	1-1/4
J4040-4	1-1/8	1-3/8
J4040-5	1-1/4	1-5/8
J4040-6	1-3/8	1-3/4
J4040-7	1-1/2	1-7/8
J4040-8	1-5/8	2
J4040-9	1-3/4	2-1/8
J4040-10	1-7/8	2-3/8
J4040-11	2	2-1/2
J4040-12	2-1/8	2-5/8
J4040-13	2-1/4	2-3/4
J4040-14	2-3/8	2-7/8

